



Auburn Leather Company 2011 LEATHER Product Fit Chart

Manufacturing quality products in Kentucky since 1863

Please visit us at: www.auburnleather.com



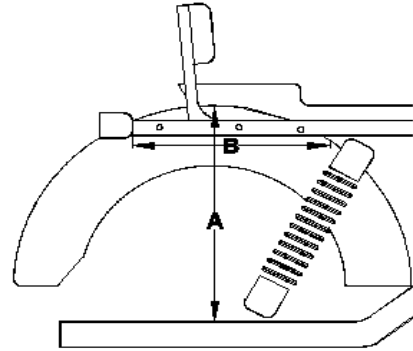
ALL BIKES ARE DIFFERENT, PLEASE USE THIS AS A REFERENCE ONLY

Proper measurements required for fitting saddlebags are as follows:

1. Bags are measured from the back of the bag
2. **Measure side to side(B):** From the back of the seat (rider's position) or shock, to the back of the turn signal. Measurement should be greater than the top of the bag length. (L).
3. **Measurement from top to bottom(A):** From the bottom of the seat pad or to the top of the fender, to the exhaust pipe. Subtract 2" from the measurement, this is your maximum saddlebag height (H) for clearance.
4. **Maximum Clearance (MC):** The 2nd. measurement in (parenthesis) is the maximum clearance for the bag. Longest point to longest point.

All throw-over saddlebags must be used in conjunction with a saddlebag support bracket to keep bags from interfering with any operating components. 2" of space must be allowed between the bottom of the bag and top of exhaust pipes for safety. Re-check clearance when saddlebag is LOADED and with passenger to reassure clearance requirements have been met.

**** Do Not Overload - Recommended Maximum Weight is 10 lbs. [4.5kg] per side**



MAKE	MODEL	YEAR	LEATHER		8004	8011	8013	8014 (V)	8018	8021	8026	8040 (V)	8042 (V)
			NAME	STYLE	Montana	Ventura	Renegade II	Bandito /	Lone Star	Mighty	Ultimate	Cornerstone /	Keystone /
			SIZE / DIMS (HxLxD)		Chubby	Chubby	Chubby	V-Moccasin	Std.	Legend	Legend	V-Diamond Back	V-Horned Mex
			Max Clearance		11.5x13.5x7.25	11.75x14x7.5	11.5x14.5x7.5	12x13.5x7.50	11.5x13x7	13x14x8	12.5x16x8	13x16x6.25	12x15.75x6.25
EZ-BRKT MOUNT SYS.													
HARLEY -	FLHTC - Classic Elec Glide	ALL	-		-	-	-	-	-	-	-	-	-
DAVIDSON	FLHTCU - Clsc Eic Gld Ultra	ALL	-		-	-	-	-	-	-	-	-	-
	Electras	FLHX/I - Street Glide	05-11		-	-	-	-	-	-	-	-	-
	Bagger	FLHR/C - Road King Cls/Ctm	ALL		-	-	-	-	-	-	-	-	-
	Bagger	FLTR/I - Road Glide	ALL		Y	Y	Y	Y	Y	Y-S	Y	-	-
	Dynas	FXDBI - Street Bob	00-11	QR-S	Y-S	Y-S	Y-S	Y-QR	-	Y-S	Y-S	-	-
	Swing-Arm	FXDF - Fat Bob	00-11	QR-S	Y-S	Y-S	Y-S	Y-QR	-	Y-S	Y-S	-	-
	Shock	FXDI35 - 35th Aniv. Spr Gld	00-06	QR-S	Y-S	Y-S	Y-S	Y-QR	-	Y-S	Y-S	-	-
	Shock	FXDLI - Low Rider	96-11	QR-S	Y-S	Y-S	Y-S	Y-QR	-	Y-S	Y-S	-	Y-S-QR
	Shock	FXDWGI - Wide Glide	91-11	QR-S	Y	Y-S	Y-S	Y-QR	-	Y-S	Y-S	-	Y-S-QR
	Shock	FXR - Low Rider	82-11	QR-S	Y-S	Y-S	Y-S	Y-QR	-	Y-S	Y-S	-	-
	Shock	FXDI - Super Glide	93-11	QR-S	Y	Y-S	Y-S	Y-QR	-	-	-	-	Y-S-QR
	Shock	FXDCI - Super Glide Custom	96-11	QR-S	-	-	-	Y-QR	-	-	-	-	Y-S-QR
	Shock	FXDXT - Dyna Sport Touring	96-11	QR-S	-	-	-	Y-QR	-	Y-S	Y-S	-	-
	Sportsters	XL - 883/ 883H/ 883L/ 883R	85-11	QR-S	Y-S	-	-	-	-	Y-S	Y-S	-	-
	Shock	XL883C Sportster Custom	93-11	QR-S	Y-S	-	-	-	-	Y-S	Y-S	-	-
	Shock	XLH-1200/ Low / Nightster	93-11	-	Y-S	-	-	-	-	Y-S	Y-S	-	-
	Shock	XLH-1200/ Custom/Roadster	93-11	QR-S	Y-S	-	-	-	-	Y-S	Y-S	-	-

KEY CODES: Y: Fits Available Space (some adjustments may be req'd)
S: Turn Signal Relocate Required

T: Throw-Over Only - No Bolt-On's
QR: Quick Release Mounting Brackets Recommended
P: Pipes Need To Be Changed

- : No Fit Info At This Time
[Hatched Box] : Does not fit

MAKE	MODEL	YEAR	LEATHER		8004	8011	8013	8014 (V)	8018	8021	8026	8040 (V)	8042 (V)
			NAME	SIZE / DIMS (HxLxD)	Montana Chubby	Ventura Chubby	Renegade II Chubby	Bandito / V-Moccasin Chubby	Lone Star Std.	Mighty Legend Chubby	Ultimate Legend Oversize	Cornerstone / V-Diamond Back Oval	Keystone / V-Horned Mex Slant
			STYLE	Max Clearance	11.5x13.5x7.25	11.75x14x7.5	11.5x14.5x7.5	12x13.5x7.25	11.5x13x7	13x14x8	12.5x16x8	13x16x6.25	12x15.75x6.25
			EZ-BRKT MOUNT SYS.	11.5x16.5x7.25	11.75x18.25x7.5	11.5x18.75x7.5	12x18.25x7.25	11.5x21.25x7	13x18.5x8	12.5x20.75x8	13x20.75x6.25	12x20.75x6.25	
HARLEY-DAVIDSON - continued													
Softails	FXSTD/I - Softail Deuce	ALL	QR		Y-QR	Y-QR	Y-QR	Y-QR	Y-QR	-	-	-	-
Swing-Arm	FXSTS/I - Softail, X-Bones	84-11	QR-S		Y	Y-S	Y-S	Y-S	Y-S	Y	Y-S	Y-S-QR	Y-S-QR
Swing-Arm	FXSTB/I - Night Train	07-11	QR-S		Y	Y-S	Y-S	Y-S	Y-S	Y	Y-S	Y-S-QR	Y-S-QR
Swing-Arm	FXSTS/I - Softail Springer	ALL	QR		Y	Y-S	Y-S	Y-S	Y-S	Y-S	Y-S	Y-S-QR	Y-S-QR
Fat Boys	FLSTSC - Classic / Custom	ALL	QR-S		Y	Y-S	Y-S	Y-S	Y-S	Y-S	Y-S	Y-S-QR-P	Y-S-QR-P
Swing-Arm	FLSTN - Nostalgia / Deluxe	ALL	QR		Y	Y	Y	Y	Y	Y	Y	Y-QR	Y-QR
Swing-Arm	FLSTS/I - Heritage Spr S/T	ALL	QR		Y	Y-S	Y-S	Y-S	Y	Y	Y	Y-QR	Y-QR
Swing-Arm	FLSTF/II/SE - Fat Boy	ALL	QR-S		Y	Y-S	Y-S	Y-S	Y-S	Y-QR	Y-QR	Y-S-QR-P	Y-S-QR-P
VROD	VRSCA/W (Spl Brkts Req)	07-11	-		Y-T	-	-	-	-				
Shock	VRSCR - Street Rod	07-11	-		Y-T	-	-	-	-				
Shock	VRSCD/X-Night Rod, Muscle	07-11	-		Y-T	-	-	-	-				
HONDA	Rebel - 250cc	ALL	-		-	-	-	-	-				
Shock	Shadow (600cc) VLX & Dix	91-06	QR		Y	-	-	-	-	-	Y-S-QR		
Shock	Magna (750cc)	94-03	QR		Y	-	-	-	-				
Shock	Shadow Ace VLX	87-04	QR		-	-	-	-	-				
Shock	Shadow Ace 750	87-07	QR		Y	Y	Y	Y	Y-S				
Shock	Shadow Aero 750	87-07	QR		Y	Y	Y	Y	Y	-	Y		
Shock	Shadow Spirit 750	87-07			Y-S	-	-	-	-				
Shock	Shadow Spirit 750C2	07-11	QR		Y	Y	Y	Y	Y	-	Y	-	
Shock	Shadow Ace 1100	87-11	QR		Y	Y	Y	Y	Y	-	-	-	
Shock	Shadow Aero 1100	98-11	QR		Y-S	Y-S	Y-S	Y-S	Y-S	Y-S	Y-S	-	Y-QR
Shock	Shadow Phantom (New 2010)	10-11			Y	Y-QR	Y-QR	Y-QR	Y-QR	-	Y-QR	-	Y-QR
Shock	Shadow RS (New 2010)	10-11			Y	Y-QR	Y-QR	Y-QR	Y-QR	-	Y-QR	-	Y-QR
Shock	Shadow Sabre 1100	87-11	QR		Y	Y-QR	Y-QR	Y-QR	Y-QR	-	Y-QR	-	Y-QR
Swing-Arm	Shadow Sabre (New 2010)	10-11	QR		Y	Y-QR	Y-QR	Y-QR	Y-QR	-	Y-QR	-	Y-QR
Shock	Shadow Spirit 1100	87-11	QR		Y-S	Y-S	Y-S	Y-S	Y-S	-	-	-	-
Swing-Arm	Stateline, +ABS (New 2010)	10-11	-	In Process	Y-S	Y-S	Y-S	Y-S	Y-S	-	-	-	-
Swing-Arm	Interstate (New 2010)	10-11	-	In Process	Y-S	Y-S	Y-S	Y-S	Y-S	-	-	-	-
Shock	Valkyrie&Interstate GL1500C	97-04	QR		Y	Y	Y	Y	-	Y	Y	-	Y-QR
Shock	VTX 1300 C / R / S / T	02-11	QR		Y	Y	Y	Y	Y	-	Y-QR	Y-QR	Y-QR
Shock	VTX 1800 C	02-11	QR		Y	Y	Y	Y	Y	-	Y-QR	Y-QR	Y-QR
Shock	VTX 1800 F	02-11	QR		Y	Y	Y	Y	Y	-	Y-QR	Y-QR	Y-QR
Shock	VTX 1800 N / R / S	02-11	QR		Y	Y	Y	Y	Y	-	Y-QR	Y-QR	Y-QR

KEY CODES: Y: Fits Available Space (some adjustments may be req'd)
S: Turn Signal Relocate Required

T: Throw-Over Only - No Bolt-On's
QR: Quick Release Mounting Brackets Recommended
P: Pipes Need To Be Changed

- : No Fit Info At This Time
 : Does not fit

MAKE	MODEL	YEAR	LEATHER		8004	8011	8013	8014 (V)	8018	8021	8026	8040 (V)	8042 (V)
			NAME		Montana	Ventura	Renegade II	Bandito /	Lone Star	Mighty	Ultimate	Cornerstone /	Keystone /
			STYLE		Chubby	Chubby	Chubby	V-Moccasin	Std.	Legend	Legend	V-Diamond Back	V-Horned Mex
			SIZE / DIMS (HxLxD)		11.5x13.5x7.25	11.75x14x7.5	11.5x14.5x7.5	12x13.5x7.25	11.5x13x7	13x14x8	12.5x16x8	13x16x6.25	12x15.75x6.25
Max Clearance		11.5x16.5x7.25	11.75x18.25x7.5	11.5x18.75x7.5	12x18.25x7.25	11.5x21.25x7	13x18.5x8	12.5x20.75x8	13x20.75x6.25	12x20.75x6.25			
EZ-BRKT MOUNT SYS.													
KAWASAKI	Eliminator 125	96-08	-		Y-T								
Shock	Vulcan 500 & 500 LTD	96-08	-		-								
Shock	Vulcan 750, 750A	96-07	-		-								
Disc-06	Vulcan 800A; Classic & B	96-06	QR	A Only	Y-S	-	-	-	Y-S	-	-		
Shock	Vulcan 800L	96-06	-		-	-	-	-	Y	-	-		
Shock	Vulcan 800 Drifter	96-05	-		-	-	-	-	-	-	-		
Swing-Arm	Vulcan 900 Classic & LT	07-11	QR		Y	Y	Y	Y-QR	Y-QR	Y-QR	Y-QR	Y-QR	Y-QR
Swing-Arm	Vulcan 900 Custom	07-11	QR		Y	Y	Y	Y-QR	Y-QR	Y-QR	Y-QR	Y-QR	Y-QR
Shock	Vulcan Mean Streak-1500	96-07	-		Y	Y	Y	Y					
Shock	Vulcan 1500 A, B, C	87-99	-		Y	Y	Y	Y	-	Y-QR	Y-QR	Y-QR	Y-QR
Shock	Vulcan 1500 D thru E	96-04	-		Y	Y	Y	Y	-	Y-QR	Y-QR	Y-QR	Y-QR
Shock	Vulcan 1500 Classic	96-11	QR		Y	Y	Y	Y	Y	Y-QR	Y-QR	Y-QR	Y-QR
Shock	Vulcan 1500 Drifter	96-05	-		-	-	-	-	-	-	-	-	-
Shock	Vulcan 1600 Classic	03-09	QR		Y	Y	Y	Y		Y-QR	Y-QR	Y-QR	Y-QR
Shock	Vulcan 1600 Mean Streak	03-09	QR		Y	Y	Y	Y		Y-QR	Y-QR	Y-QR	Y-QR
Shock	Vulcan 1600 Nomad	03-08	-		Y	Y	Y	Y		Y-QR	Y-QR	Y-QR	Y-QR
Shock	Vulcan 1700 Classic, LT	09-11	QR		Y	Y	Y	Y	-	Y-QR	Y-QR	Y-QR	Y-QR
Shock	Vulcan 1700 Nomad	09-11	-		Y	Y	Y	Y	-	Y-QR	Y-QR	Y-QR	Y-QR
Bagger	Vulcan 1700 Voyager, Vaquero	09-11	-		Y	Y	Y	Y	-	Y-QR	Y-QR	Y-QR	Y-QR
Swing-Arm	Vulcan 2000	04-11	QR		Y	Y	Y	Y	Y-QR	Y-QR	Y-QR	Y-QR	Y-QR
Swing-Arm	Vulcan 2000 Classic	04-11	QR		Y	Y	Y	Y	Y-QR	Y-QR	Y-QR	Y-QR	Y-QR
Swing-Arm	Vulcan 2000 Classic LT	04-11	QR		Y	Y	Y	Y	Y-QR	Y-QR	Y-QR	Y-QR	Y-QR
Swing-Arm	Vulcan 2000 LTD	04-11	QR		Y	Y	Y	Y	Y-QR	Y-QR	Y-QR	Y-QR	Y-QR
SUZUKI	Savage 650 & Blvd S40	ALL	-		T-S	-	-	-					
Shock	Intruder 700 / 750 (VS750)	86-91	-		-	-	-	-	-	-	-	-	-
Shock	Intruder 800(VS800) Blvd S50	98-11	-		-	-	-	-	-	-	-	-	-
Shock	Intruder VS 1400 - Blvd S83	98-11	-		Y	-	-	-	-	-	-	-	-
Shock	Intruder LC VL 1500	98+	QR		Y	-	-	-	Y	Y	Y	Y	Y
Swing-Arm	Volusia 800&Blvd C50, C50T	01-11	QR		Y	Y	Y	Y	Y	Y	Y	Y	Y
Shock	Marauder 800 VZ	97-08	-		Y	Y	Y	Y	Y	Y	Y	Y	Y
Swing-Arm	Boulevard M50	06-11	QR		Y	Y	Y	Y	Y	Y	Y	Y	Y
Shock	Marauder 1600	ALL	-		Y	Y	Y	Y	Y	Y	Y	Y	Y
Swing-Arm	Boulevard C9OT	06-11	QR		Y	Y	Y	Y	Y	Y	Y	Y	Y
Swing-Arm	Boulevard M90	06-11	-		Y	Y	Y	-	Y	-	-	-	-
Disc-06	Boulevard M95 (M/S)	ALL	-		Y	-	-	-	-	-	-	-	-
Swing-Arm	Boulevard C109RT	06-11	QR		Y	Y	Y	Y	Y	Y	Y	Y	Y
Swing-Arm	Boulevard M109R/R2/Ltd	06-11	-		Y	Y	Y	-	Y	-	-	-	-

KEY CODES: Y: Fits Available Space (some adjustments may be req'd)
S: Turn Signal Relocate Required

T: Throw-Over Only - No Bolt-On's
QR: Quick Release Mounting Brackets Recommended
P: Pipes Need To Be Changed

- : No Fit Info At This Time
Does not fit

MAKE	MODEL	YEAR	LEATHER		8004	8011	8013	8014 (V)	8018	8021	8026	8040 (V)	8042 (V)
			NAME		Montana	Ventura	Renegade II	Bandito /	Lone Star	Mighty	Ultimate	Cornerstone /	Keystone /
			STYLE		Chubby	Chubby	Chubby	V-Moccasin	Std.	Legend	Legend	V-Diamond Back	V-Horned Mex
			SIZE / DIMS (HxLxD)		11.5x13.5x7.25	11.75x14x7.5	11.5x14.5x7.5	12x13.5x7.25	11.5x13x7	13x14x8	12.5x16x8	13x16x6.25	12x15.75x6.25
Max Clearance		11.5x16.5x7.25	11.75x18.25x7.5	11.5x18.75x7.5	12x18.25x7.25	11.5x21.25x7	13x18.5x8	12.5x20.75x8	13x20.75x6.25	12x20.75x6.25			
EZ-BRKT MOUNT SYS.													
TRIUMPH	America & Speedmaster	04-11	QR		Y	Y	Y	Y-QR					
Shock	Bonneville SE, T-100	T/O's only	-		Y-T	Y-T	Y-T	-					
Shock	Thunderbird, Strom	2011	QR		Y	Y	Y	Y					
Shock	Rocket III & Rocket III Clsc	05-11	QR		Y	Y	Y	Y					
Shock	Legend & Thunderbird 1600	10-11	QR		Y	Y	Y	-					
VICTORY	V92C & Deluxe	99-06	QR		Y	-	-	-	Y-QR	Y-QR	Y-QR	Y-QR	Y
Swing-Arm	V92TC & Deluxe	99-06	QR		Y	-	-	-	Y-QR	Y-QR	Y-QR	Y-QR	Y
Hammer	S, Jackpot, Hmr 8-Ball	ALL	QR		Y	-	-	-	Y-QR	Y-QR	Y-QR	Y-QR	Y
Vegas	Kingpin, KP8 & Vegas 8-Ball	ALL	QR		Y	-	-	-	Y-QR	Y-QR	Y-QR	Y-QR	Y
Swing-Arm	Vegas 8-Ball, High-Ball	ALL	QR		Y	-	-	-	Y-QR	Y-QR	Y-QR	Y-QR	Y
YAMAHA	Viragos 250,550 (T/O's only)	ALL	-		-	-	-	-	-	-	-	-	-
Shock	Viragos 750, 1100	84-99	-		Y	-	-	-	-	-	-	-	-
Swing-Arm	V-Star 650 Custom	96-08	QR-S		Y	Y	Y	Y	Y	Y	Y	Y-S	Y
Swing-Arm	V-Star 650 Classic	96-08	QR		Y	Y	Y	Y	Y	Y	Y	Y-S	Y
Swing-Arm	V-Star Silverado 650	03-11	QR-S		Y	Y	Y	Y	Y	Y	Y	Y-S	Y
Swing-Arm	V-Star 950 Custom	09-11	QR		Y	Y	Y	Y	Y	Y	Y	Y-S	Y
Swing-Arm	V-Star 1100 Custom	96-11	QR		Y	Y	Y	Y	Y	Y	Y	Y-S	Y
Swing-Arm	V-Star 1100 Classic	99-11	QR		Y	Y	Y	Y	Y	Y	Y	Y-S	Y
Swing-Arm	V-Star 1100 Silverado	99-11	QR		Y	Y	Y	Y	Y	Y	Y	Y-S	Y
Swing-Arm	V-Star 1300	06-11	QR		Y	Y	Y	Y	Y	Y	Y	Y-S	Y
Swing-Arm	V-Max 1200	00-08	N/A		-	-	-	-	-	-	-	-	-
Swing-Arm	Raider, Raider S	09-11	QR		Y	Y	Y	Y	Y	Y	Y	Y-S	Y
Swing-Arm	Stryker	2001	QR		Y	Y	Y	Y	Y	Y	Y	Y-S	Y
Swing-Arm	Road-Star/S 1600	99-11	QR		Y	Y	Y	Y	Y	Y	Y	Y-S	Y
Swing-Arm	Road-Star Warrior 1600	06-11	QR		-	-	-	-	-	-	-	-	-
Swing-Arm	Road Star Silverado/S 1700	06-11	-		Y	Y	Y	Y	Y	Y	Y	Y-S	Y
Swing-Arm	RdStr MidNt Silverado 1600	99-11	-		Y	Y	Y	Y	Y	Y	Y	Y	Y
Swing-Arm	Star Roadliner S/M1 800/1900	ALL	QR		Y	Y	Y	Y	Y	Y	Y	Y-S	Y
Swing-Arm	Road Star Deluxe	06-11	QR		-	-	-	-	-	-	-	-	-
Bagger	Royal Star, Venture & Blvd	ALL	-		Y	Y	Y	Y	Y	X	Y	Y	Y
Swing-Arm	Royal Star, Midnight Venture	ALL	-		Y	Y	Y	Y	Y	X	Y	Y	Y
Swing-Arm	Star Stratoliner, S 1800	ALL	-		Y	Y	Y	Y	Y	X	Y	Y	-

KEY CODES: Y: Fits Available Space (some adjustments may be req'd)
S: Turn Signal Relocate Required

T: Throw-Over Only - No Bolt-On's
QR: Quick Release Mounting Brackets Recommended
P: Pipes Need To Be Changed

- : No Fit Info At This Time
[Hatched Box] : Does not fit



Auburn Leather Company 2011 VINYL Product Fit Chart

Manufacturing quality products in Kentucky since 1863

Please visit us at: www.auburnleather.com



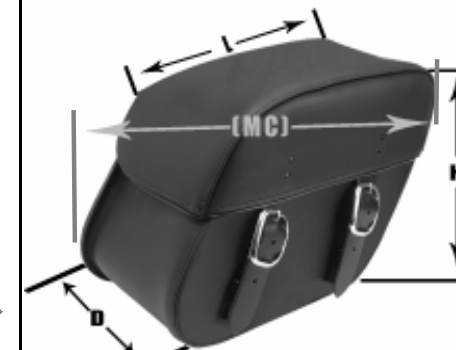
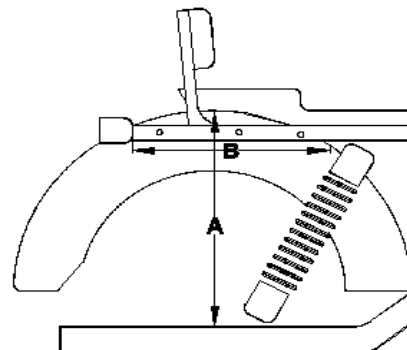
ALL BIKES ARE DIFFERENT, PLEASE USE THIS AS A REFERENCE ONLY

Proper measurements required for fitting saddlebags are as follows:

1. Bags are measured from the back of the bag
2. **Measure side to side(B):** From the back of the seat (rider's position) or shock, to the back of the turn signal. Measurement should be greater than the top of the bag length. (L).
3. **Measurement from top to bottom(A):** From the bottom of the seat pad or to the top of the fender, to the exhaust pipe. Subtract 2" from the measurement, this is your maximum saddlebag height (H) for clearance.
4. **Maximum Clearance (MC):** The 2nd. measurement in (parenthesis) is the maximum clearance for the bag. Longest point to longest point.

All throw-over saddlebags must be used in conjunction with a saddlebag support bracket to keep bags from interfering with any operating components. 2" of space must be allowed between the bottom of the bag and top of exhaust pipes for safety. Re-check clearance when saddlebag is LOADED and with passenger to reassure clearance requirements have been met.

**** Do Not Overload - Recommended Maximum Weight is 10 lbs. [4.5kg] per side**



MAKE	MODEL	YEAR	VINYL	8203	8204	8209	8218	8220	8230	8232	8234	6213	6216
			NAME	Panama II	Montana	Daytona II	Lone Star	Legend	Heat	Fire	Blaze	Lightning	Thunder
			STYLE	Chubby	Chubby	Chubby	Std.	Std.	Slant	Chubby	Chubby	Slant	Oval
			SIZE-HxLxD	11.5x13.5x7	11.5x13.5x7.25	11.75x13.75x7.25	11.5x13x7	12.5x14x6.75	12x13.5x7.50	12x12.75x7.50	12x13x7.50	11x12.5x5.5	10x12.5x6.5
			Max Clear.	11.5x16.25x7	11.5x16.5x7.25	11.75x18.25x7.25	11.5x21.25x7	12.5x19x6.75	12x18x7.50	12x19x7.50	12x20.5x7.50	11x17.8x5.5	10x19.5x6.5
			EZ-BRKT										
HARLEY -	FLHTCU - Clsc Elc Gld Ultra	ALL	V V	-	-	-	-	-	-	-	-	-	-
DAVIDSON	FLHX/I - Street Glide	05-11	-	-	-	-	-	-	-	-	-	-	-
Electra's	FLHR/C - Road King Cls/Ctm	ALL	-	-	-	-	-	-	-	-	-	-	-
Bagger	FLTR/I - Road Glide	ALL	-	-	-	-	-	-	-	-	-	-	-
Dyna's	FXDBI - Street Bob	00-11	QR-S	Y-S	Y-S	Y	Y	Y-S	Y-QR	Y-S	Y-S	Y-T	Y-QR
Swing-Arm	FXDF - Fat Bob	00-11	QR-S	Y-S	Y-S	Y	-	Y-S	Y-QR	Y-S	Y-S	Y-T	Y-QR
Shock	FXDI35 - 35th Aniv.Spr Gld	00-06	QR-S	Y-S	Y-S	Y	-	Y-S	Y-QR	Y-S	Y-S	Y-T	Y-QR
Shock	FXDLI - Low Rider	96-11	QR-S	Y-S	Y-S	Y	-	Y-S	Y-QR	Y-S	Y-S	Y-T	Y-QR
Shock	FXDWGI - Wide Glide	91-11	QR-S	Y	Y	Y	-	Y-S	Y-QR	Y-S	Y-S	Y-T	Y-QR
Shock	FXR - Low Rider	82-11	QR-S	Y-S	Y-S	Y	-	Y-S	Y-QR	Y-S	Y-S	Y-T	Y-QR
Shock	FXDI - Super Glide	93-11	QR-S	Y	Y	Y	-	Y-S	Y-QR	Y-S	Y-S	Y-T	Y-QR
Shock	FXDCI - Super Glide Custom	96-11	QR-S	-	-	Y	-	-	Y-QR	Y-S	Y-S	-	Y-QR
Shock	FXDXT - Dyna Sport Touring	96-08	QR-S	-	-	Y	-	-	Y-QR	Y-S	Y-S	-	Y-QR
Sportsters	XL - 883/ 883H/ 883L/ 883R	85-11	QR-S	Y-S	Y-S	Y	-		-	Y-S	Y-S	Y-T	-
Shock	XL883C Sportster Custom	93-11	QR-S	Y-S	Y-S	Y	-		-	Y-S	Y-S	Y-T	-
Shock	XLH-1200/ Low / Nightster	93-11	QR-S	Y-S	Y-S	Y	-		-	Y-S	Y-S	Y-T	-
Shock	XLH-1200/ Custom/Roadster	93-11	QR-S	Y-S	Y-S	Y	-		-	Y-S	Y-S	Y-T	-

KEY CODES: Y: Fits Available Space (some adjustments may be req'd)
S: Turn Signal Relocate Required

T: Throw-Over Only - No Bolt-On's
QR: Quick Release Mounting Brackets Recommended
P: Pipes Need To Be Changed

- : No Fit Info At This Time
[Hatched Box] : Does not fit

MAKE	MODEL	YEAR	VINYL	8203	8204	8209	8218	8220	8230	8232	8234	6213	6216
			NAME	Panama II	Montana	Daytona II	Lone Star	Legend	Heat	Fire	Blaze	Lightning	Thunder
			STYLE	Chubby	Chubby	Chubby	Std.	Std.	Slant	Chubby	Chubby	Slant	Oval
			SIZE-HxLxD	11.5x13.5x7	11.5x13.5x7.25	11.75x13.75x7.25	11.5x13x7	12.5x14x6.75	12x13.5x7.50	12x12.75x7.50	12x13x7.50	11x12.5x5.5	10x12.5x6.5
Max Clear.	11.5x16.25x7	11.5x16.5x7.25	11.75x18.25x7.25	11.5x21.25x7	12.5x19x6.75	12x18x7.50	12x19x7.50	12x20.5x7.50	11x17.8x5.5	10x19.5x6.5			
EZ-BRKT													
HARLEY-DAVIDSON - continued													
Softails	FXSTD/I - Softail Deuce	ALL	QR	Y-QR	Y-QR	Y-QR	Y-QR	-	Y-QR	-	-	Y-QR	-
Swing-Arm	FXSTS/I - Softail, X-Bones	84-11	QR-S	Y	Y	Y-S	Y-S	Y	Y-QR	Y-S	Y-S	Y-S	Y
Swing-Arm	FXSTB/I - Night Train	07-11	QR-S	Y	Y	Y-S	Y-S	Y	Y-QR	Y-S	Y-S	Y-S	Y
Swing-Arm	FXSTS/I - Softail Springer	ALL	QR	Y	Y	Y-S	Y-S	Y-S	Y-QR	Y-S	Y-S	Y-S	Y-S
Fat Boy's	FLSTSC - Classic / Custom	ALL	QR-S	Y	Y	Y-S	Y-S	Y-S	Y-QR	Y-S	Y-S	Y-S	Y-S
Swing-Arm	FLSTN - Nostalgia / Deluxe	ALL	QR	Y	Y	Y	Y	Y	Y-QR	Y	Y	Y	Y
Swing-Arm	FLSTS/I - Heritage Spr S/T	ALL	QR	Y	Y	Y-S	Y	Y	Y-QR	Y	Y	Y-S	Y
Swing-Arm	FLSTF/II/SE - Fat Boy	ALL	QR-S	Y	Y	Y-S	Y-S	Y-QR	Y-QR	Y-QR	Y-QR	Y-S	Y-QR
VROD	VRSCA/W (Special Brkts Req)	10-11	-	Y-T	Y-T	Y-T	-		-			Y-T	
Shock	VRSCR - Street Rod	10-11	-	Y-T	Y-T	Y-T	-		-			Y-T	
Shock	VRSCD/X-Night Rod, Muscle	08-11	-	Y-T	Y-T	Y-T	-		-			Y-T	
HONDA	Rebel - 250	ALL	-	Y	-	-	-		-			Y-T	
Shock	Shadow (600) VLX & Dlx	91-06	QR	Y	Y	Y	-	Y-S-QR	-	Y-S-QR	Y-S-QR	Y-T	Y-S-QR
Shock	Magna (750)	94-03	QR	Y	Y	Y	-		-			Y-T	
Shock	Shadow Ace VLX	87-04	QR	Y	-	Y	-		-			Y-T	
Shock	Shadow Ace 750	87-07	QR	Y	Y	Y	Y-S		Y-S			Y-T	
Shock	Shadow Aero 750	87-07	QR	Y	Y	Y	Y	Y	Y	Y	Y	Y-T	Y
Shock	Shadow Spirit 750	87-07	-	Y-S	Y-S	Y	-		-			Y-T	
Shock	Shadow Spirit 750C2	87-11	QR	Y	Y	Y	Y	Y	Y	Y	Y	Y-T	Y
Shock	Shadow Spirit 1100	87-09	QR	-	Y-S	Y-S	Y	Y-S	-	-	-	-	-
Shock	Shadow Ace 1100	87-11	QR	Y	Y	Y	Y-S	Y-QR	Y-QR	-	-	Y-T	Y-QR
Shock	Shadow Aero 1100	98-11	QR	Y-S	Y-S	Y-S	Y-QR	Y-S	Y-QR	Y-QR	Y-QR	Y-S	Y-S
Shock	Shadow Phantom	10-11	-	Y	Y	Y	Y-QR	Y-QR	Y-QR	-	-	Y-T	Y-QR
Shock	Shadow RS	10-11	-	Y	Y	Y	Y-QR	Y-QR	Y-QR	-	-	Y-T	Y-QR
Swing-Arm	Shadow Sabre 1100	87-11	QR	Y	Y	Y	Y-QR	-	Y-QR	-	-	Y-T	-
Shock	Shadow Sabre (2010)	10-11	-	Y	Y	Y	Y-S	Y-QR	Y-QR	-	-	Y-T	Y-QR
Swing-Arm	Stateline (ABS) (2010)	10-11	-	Y-S	Y-S	Y	Y-S	Y-QR	Y-QR	Y	Y	Y-S	Y-QR
Swing-Arm	Interstate (2010)	10-11	QR	Y-S	Y-S	Y	Y-S	Y-QR	Y-QR	Y	Y	Y-S	Y-QR
Shock	Valkyrie&Interstate GL1500C	97-04	QR	Y	Y	Y	-	Y	Y	Y	Y	Y-T	Y
Shock	VTX 1300 C / R / S / T	02-11	QR	Y	Y	Y	Y	Y-QR	Y-QR	Y-QR	Y-QR	Y-T	Y-QR
Shock	VTX 1800 C	02-11	QR	Y	Y	Y	Y	Y-QR	Y-QR	Y-QR	Y-QR	Y-T	Y-QR
Shock	VTX 1800 F	02-11	QR	Y	Y	Y	Y	Y-QR	Y-QR	Y-QR	Y-QR	Y-T	Y-QR
Shock	VTX 1800 N / R / S	02-11	QR	Y	Y	Y	Y	Y-QR	Y-QR	Y-QR	Y-QR	Y-T	Y-QR

KEY CODES: Y: Fits Available Space (some adjustments may be req'd)
S: Turn Signal Relocate Required

T: Throw-Over Only - No Bolt-On's
QR: Quick Release Mounting Brackets Recommended
P: Pipes Need To Be Changed

- : No Fit Info At This Time
Does not fit

MAKE	MODEL	YEAR	VINYL	8203	8204	8209	8218	8220	8230	8232	8234	6213	6216
			NAME	Panama II	Montana	Daytona II	Lone Star	Legend	Heat	Fire	Blaze	Lightning	Thunder
			STYLE	Chubby	Chubby	Chubby	Std.	Std.	Slant	Chubby	Chubby	Slant	Oval
			SIZE-HxLxD	11.5x13.5x7	11.5x13.5x7.25	11.75x13.75x7.25	11.5x13x7	12.5x14x6.75	12x13.5x7.50	12x12.75x7.50	12x13x7.50	11x12.5x5.5	10x12.5x6.5
Max Clear.	11.5x16.25x7	11.5x16.5x7.25	11.75x18.25x7.25	11.5x21.25x7	12.5x19x6.75	12x18x7.50	12x19x7.50	12x20.5x7.50	11x17.8x5.5	10x19.5x6.5			
EZ-BRKT													
KAWASAKI	Eliminator 125	96-08	-	Y-T	Y-T								
Shock	Vulcan 500 & 500 LTD	96-08	-	Y-T	-								
Shock	Vulcan 750, 750A	96-07	-	Y-T	-								
Disc-06	Vulcan 800A; Classic & B	96-06	QR	Y-S	Y-S	Y	Y-S	-	Y-QR	Y-S	Y-S	Y-T	Y-S
Swing-Arm	Vulcan 800L	96-06	QR	Y	-	Y	Y	-	Y-QR	Y-S	Y-S	Y-T	Y-S
Swing-Arm	Vulcan 800 Drifter	96-05	-	-	-	-	-	-	Y-T	-	-	-	-
Swing-Arm	Vulcan 900 Classic & LT	07-11	QR	Y	Y	Y	Y-QR	Y-QR	Y-QR	Y-QR	Y-QR	-	Y-QR
Swing-Arm	Vulcan 900 Custom	07-11	QR	Y	Y	Y	Y-QR	Y-QR	Y-QR	Y-QR	Y-QR	-	Y-QR
Shock	Vulcan Mean Streak-1500	96-07	-	Y	Y	Y		-	Y-T	Y	Y	Y-T	Y
Shock	Vulcan 1500 A, B, C	87-99	-	Y	Y	Y	-	Y-QR	Y-QR	Y	Y	Y-T	Y
Shock	Vulcan 1500 D thru E	96-04	-	Y	Y	Y	-	Y-QR	Y-QR	Y	Y	Y-T	Y
Shock	Vulcan 1500 Classic	96-11	QR	Y	Y	Y	Y	Y-QR	Y-QR	Y	Y	Y-T	Y
Shock	Vulcan 1500 Drifter	96-05	-	-	-	Y	-	-	Y-T	-	-	Y-T	-
Shock	Vulcan 1600 Classic	03-09	QR	Y	Y	Y		Y-QR	Y-QR	Y	Y	Y-T	Y
Shock	Vulcan 1600 Mean Streak	03-09	-	Y	Y	Y		Y-QR	Y-QR	Y	Y	Y-T	Y
Shock	Vulcan 1600 Nomad	03-08	-	Y	Y	Y		Y-QR	Y-QR	Y	Y	Y-T	Y
Shock	Vulcan 1700 Classic, LT	09-11	QR	Y	Y	Y	-	Y-QR	Y-QR	Y	Y	Y-T	Y
Shock	Vulcan 1700 Nomad	09-11	-	Y	Y	Y	-	Y-QR	Y-QR	Y	Y	Y-T	Y
Bagger	Vulcan 1700 Voyager	09-11	-	Y	Y	Y	-	Y-QR	Y-QR	Y	Y	Y-T	Y
Shock	Vulcan 2000	04-09	QR	Y	Y	Y	Y-QR	Y-QR	Y-QR	Y	Y	Y-T	Y
Shock	Vulcan 2000 Classic	04-09	QR	Y	Y	Y	Y-QR	Y-QR	Y-QR	Y	Y	Y-T	Y
Shock	Vulcan 2000 Classic LT	04-11	QR	Y	Y	Y	Y-QR	Y-QR	Y-QR	Y	Y	Y-T	Y
Shock	Vulcan 2000 LTD	04-11	QR	Y	Y	Y	Y-QR	Y-QR	Y-QR	Y	Y	Y-T	Y
SUZUKI	Savage 650 & Blvd S40	ALL	-	T-S	T-S	-				-	-	-	-
Shock	Intruder 700 / 750 (VS750)	86-91	-	-	-	-	-	-	Y-T	-	-	-	-
Shock	Intruder 800, VS800, (Blvd S50)	98-11	-	-	-	-	-	-	Y-T	-	-	Y-T	-
Shock	Intruder VS 1400 - Blvd S83	98-11	-	Y	Y	-	-	-	Y-T	-	-	Y-T	-
Shock	Intruder LC VL 1500	98+	QR	Y	Y	Y	Y	Y	Y	Y	Y	-	-
Swing-Arm	Volusia 800 & Blvd C50, C50T	01-11	QR	Y	Y	Y	Y	Y	Y	Y	Y	Y-T	Y
Shock	Marauder 800 VZ	97-08	-	Y	Y	Y	Y	Y	Y	Y	Y	Y-T	Y
Swing-Arm	Boulevard M50	06-09	QR	Y	Y	Y	Y	Y	Y	Y	Y	Y-T	Y
Shock	Marauder 1600	ALL	-	Y	Y	Y	Y	Y	Y	Y	Y	Y-T	Y
Swing-Arm	Boulevard C90T	06-11	QR	Y	Y	Y	Y	Y	Y	Y	Y	Y-T	Y
Disc-06	Boulevard M95 (M/S)	ALL	-	-	-	-	-	-	-	-	-	Y-T	-
Swing-Arm	Boulevard C109RT	06-11	QR	Y	Y	Y	Y	Y	Y-T	Y	Y	Y-T	Y
Swing-Arm	Boulevard M109R / R2 / Ltd	06-11	-	-	-	-	-	-	-	-	-	Y-T	-

KEY CODES: Y: Fits Available Space (some adjustments may be req'd)
S: Turn Signal Relocate Required

T: Throw-Over Only - No Bolt-On's
QR: Quick Release Mounting Brackets Recommended
P: Pipes Need To Be Changed

- : No Fit Info At This Time
: Does not fit

MAKE	MODEL	YEAR	VINYL	8203	8204	8209	8218	8220	8230	8232	8234	6213	6216
			NAME	Panama II	Montana	Daytona II	Lone Star	Legend	Heat	Fire	Blaze	Lightning	Thunder
			STYLE	Chubby	Chubby	Chubby	Std.	Std.	Slant	Chubby	Chubby	Slant	Oval
			SIZE-HxLxD	11.5x13.5x7	11.5x13.5x7.25	11.75x13.75x7.25	11.5x13x7	12.5x14x6.75	12x13.5x7.50	12x12.75x7.50	12x13x7.50	11x12.5x5.5	10x12.5x6.5
Max Clear.	11.5x16.25x7	11.5x16.5x7.25	11.75x18.25x7.25	11.5x21.25x7	12.5x19x6.75	12x18x7.50	12x19x7.50	12x20.5x7.50	11x17.8x5.5	10x19.5x6.5			
EZ-BRKT													
TRIUMPH	BNVL America & Speedmaster	04-11	QR	Y	Y	Y		Y-QR	-	Y-QR	Y-QR	-	Y-QR
Shock	Bonneville T-100	T/O's only	-	Y-T	Y-T	Y		-	-	-	-	-	-
Shock	Rocket III & Rocket III Clisc	05-11	QR	Y	Y	Y		Y	-	Y	Y	-	Y
Shock	Legend & Thunderbird 1600	05-11	QR	Y	Y	Y		-	Y	-	-	Y	-
VICTORY	V92C & Deluxe	99-06	QR	Y	Y	Y	Y-QR	Y-QR	-	Y-QR	Y-QR	-	-
Swing-Arm	V92TC & Deluxe	99-06	QR	Y	Y	Y	Y-QR	Y-QR	-	Y-QR	Y-QR	-	-
Swing-Arm	Vegas, Kingpin, Hammer	06-11	QR	Y	Y	Y	Y-QR	Y-QR	-	Y-QR	Y-QR	-	-
Swing-Arm	8-Ball, Jackpot	06-11	QR	Y	Y	Y	Y-QR	Y-QR	-	Y-QR	Y-QR	-	-
YAMAHA	Viragos 250,550 (T/O's only)	ALL	-	-	-	-	-	-	-	-	-	-	-
Shock	Viragos 750, 1100	84-99	-	Y	Y	-	-	-	-	-	-	-	-
Swing-Arm	V-Star 650 Custom	96-08	QR-S	Y	Y	Y	Y	Y	Y-QR	Y	Y	Y-S	Y
Swing-Arm	V-Star 650 Classic	96-08	QR	Y	Y	Y	Y	Y	Y-QR	Y	Y	Y-S	Y
Swing-Arm	V-Star Silverado 650	03-11	QR-S	Y	Y	Y	Y	Y	Y-QR	Y	Y	Y-S	Y
Swing-Arm	V-Star 950 Custom	09-11	QR	Y	Y	Y	Y	Y	Y-QR	Y	Y	Y-S	Y
Swing-Arm	V-Star 1100 Custom	96-11	QR	Y	Y	Y	Y	Y	Y-QR	Y	Y	Y-S	Y
Swing-Arm	V-Star 1100 Classic	99-11	QR	Y	Y	Y	Y	Y	Y-QR	Y	Y	Y-S	Y
Swing-Arm	V-Star 1100 Silverado	99-11	QR	Y	Y	Y	Y	Y	Y-QR	Y	Y	Y-S	Y
Swing-Arm	V-Star 1300	06-11	QR	Y	Y	Y	Y	Y	Y-QR	Y	Y	Y-S	Y
Swing-Arm	V-Max 1200	00-08	-	-	-	-	-	-	-	-	-	Y-S	-
Swing-Arm	Raider, Raider S	09-11	QR	Y	Y	Y	Y	Y	Y-QR	Y	Y	Y	Y
Swing-Arm	Styker	2001	QR	Y	Y	Y	Y	Y	Y-QR	Y	Y	Y	Y
Swing-Arm	Road-Star/S 1600	99-11	QR	Y	Y	Y	Y	Y	Y-QR	Y	Y	Y	Y
Swing-Arm	Road-Star Warrior 1600	06-11	QR	-	-	-	-	-	Y-QR	-	-	-	-
Swing-Arm	Road Star Silverado/S 1700	06-11	QR	Y	Y	Y	Y	Y	Y-QR	Y	Y	Y-S	Y
Swing-Arm	RdStr MidNt Silverado 1600	99-11	QR	Y	Y	Y	Y	Y	Y	Y	Y	Y	Y
Swing-Arm	Star Roadliner S/M1 800/1900	ALL	QR	Y	Y	Y	Y	Y	Y-QR	Y	Y	Y-S	Y
Swing-Arm	Road Star Deluxe	06-11	QR	-	-	-	-	-	-	-	-	-	-
Bagger	Royal Star, Venture & Blvd	ALL	-	Y	Y	Y	Y	Y	Y-QR	X	X	Y	Y
Swing-Arm	Royal Star, Midnight Venture	ALL	-	Y	Y	Y	Y	Y	Y-QR	X	X	Y	Y
Swing-Arm	Star Stratoliner, S 1800	ALL	QR	Y	Y	Y	Y	Y	Y-QR	X	X	Y	-

KEY CODES: Y: Fits Available Space (some adjustments may be req'd)
S: Turn Signal Relocate Required

T: Throw-Over Only - No Bolt-On's
QR: Quick Release Mounting Brackets Recommended
P: Pipes Need To Be Changed

- : No Fit Info At This Time
[Hatched Box] : Does not fit